

**Part Number: PT932-34160**

**Kit Contents**

Item #	Quantity Req.	Description
1	1	Stainless Steel Exhaust Tip
2	1	Stainless Steel Clamp Assembly
3	2	Aluminum Spacers

**Recommended Sequence of Application**

Item #	Accessory
1	
2	
3	

\*Mandatory

**Hardware Bag Contents**

Item #	Quantity Req.	Description
1		
2		
3		

**Vehicle Service Parts** (may be required for reassembly)

Item #	Quantity Req.	Description
1		
2		
3		

**Additional Items Required For Installation**

Item #	Quantity Req.	Description
1		
2		
3		

**Conflicts**

Vehicles with TRD Exhaust System
----------------------------------

**Recommended Tools**

Personal & Vehicle Protection	Notes
None	
Special Tools	Notes
None	
Installation Tools	Notes
Ratchet	
Socket	15 mm deep well
Torque wrench	55 N-m, 41 ft-lbf
Rubber mallet	
Non-scratch cloth	
Metric Measuring Tape/Scale	
Special Chemicals	Notes
Glass Cleaner	Dealer installed kit
Approved Cleaner	VDC installed kit

**Legend**

**STOP** **STOP:** Damage to the vehicle may occur. Do not proceed until process has been complied with.

**+** **OPERATOR SAFETY:** Use caution to avoid risk of injury.

**!** **CAUTION:** A process that must be carefully observed in order to reduce the risk of damage to the accessory/vehicle and to ensure a quality installation.

**Wrench** **TOOLS & EQUIPMENT:** Used in Figures calls out the specific tools and equipment recommended for this process.

**||** **REVISION MARK:** This mark highlights a change in installation with respect to previous issue.

**S** **SAFETY TORQUE:** This mark indicates that torque is related to safety.



**General Applicability**

All Tundra V8 Models excluding TRD Pro
--

**Procedure**

Care must be taken when installing this accessory to ensure damage does not occur to the vehicle. The installation of this accessory should follow approved guidelines to ensure a quality installation.

These guidelines can be found in the "Accessory Installation Practices" document.


This document covers such items as:-

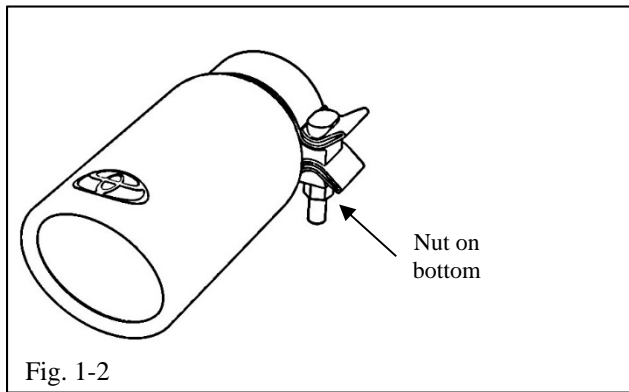
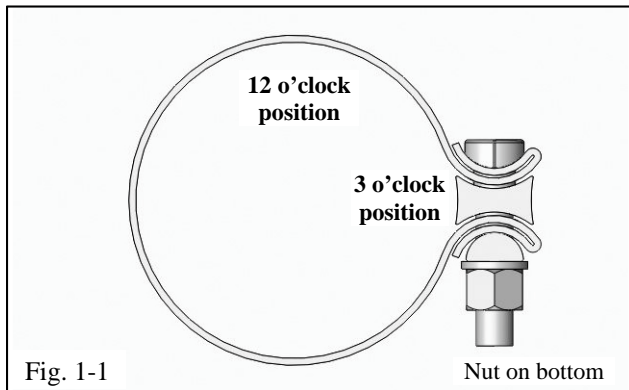
- Vehicle Protection (use of covers and blankets, cleaning chemicals, etc.).
- Safety (eye protection, rechecking torque procedure, etc.).
- Vehicle Disassembly/Reassembly (panel removal, part storage, etc.).
- Electrical Component Disassembly/Reassembly (battery disconnection, connector removal, etc.).

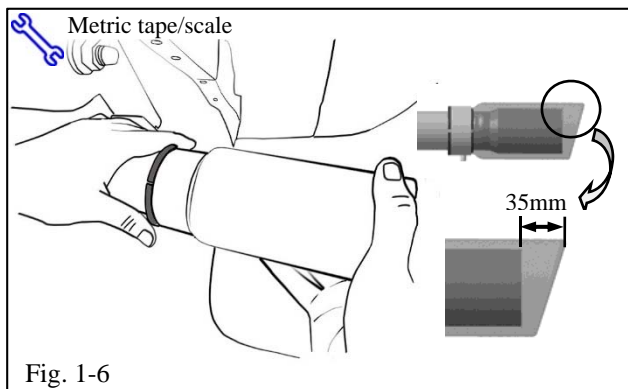
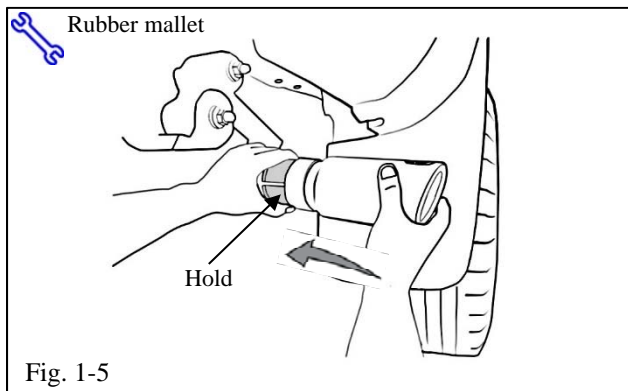
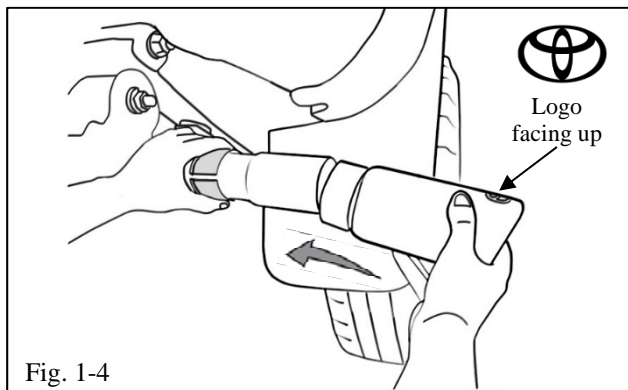
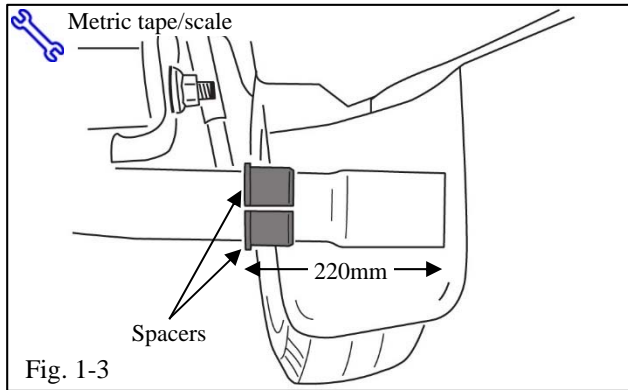
Please see your Toyota dealer for a copy of this document.

**1. Install the Tip.**

- (a) Make sure the vehicle's tail pipe is free from dirt and debris.
- (b) Remove the exhaust tip from the box and set it on a soft surface to prevent scratching.

-  (c) Locate the bolt of the clamp on the right side (3 o'clock position) with the nut on the bottom (Fig. 1-1 & Fig. 1-2).






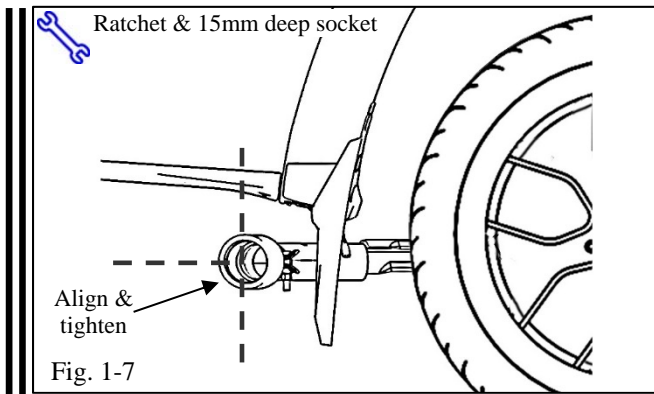
(d) Place the spacers on the exhaust pipe approximately 220mm from the tip (Fig. 1-3).

(e) Slide the exhaust tip over the tail pipe with the logo up (Fig. 1-4 & Fig. 1-5).

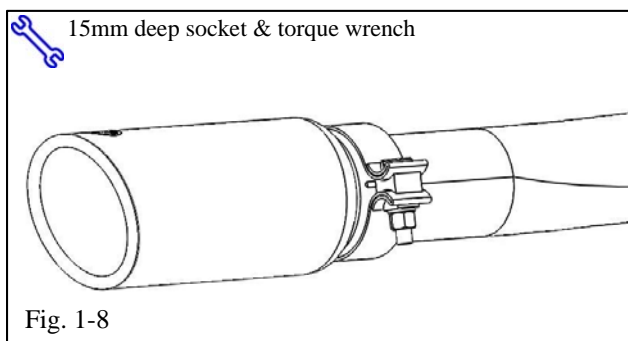
(1) If necessary, a rubber mallet may be used to aid installation.

(2) Be sure to hold the spacers in place.

 (f) Continue sliding the exhaust tip over the tail pipe, leaving approximately 35mm distance between the end of the tail pipe and the end of the exhaust tip (Fig. 1-6).



(g) Once the tip is positioned correctly and the alignment seems accurate, tighten the clamp nut making sure the bolt remains in a vertical 3 o'clock position (Fig. 1-7).

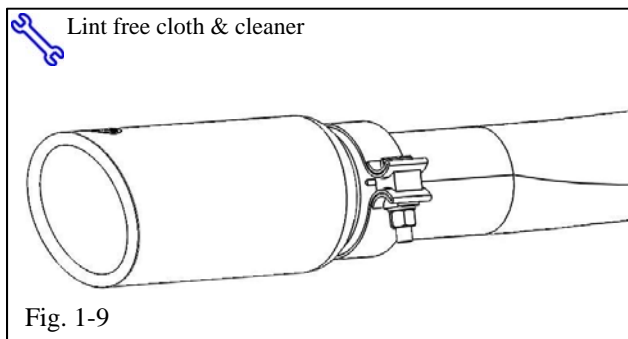


(h) Torque the clamp nut to 55 N-m (41 ft-lbf) (Fig. 1-8).

**⚠ Torque: 55 N-m (41 ft-lbf)**


(i) Wait 5 seconds, then torque the nut again.

**⚠ Torque: 55 N-m (41 ft-lbf)**



(j) Clean the exhaust tip with VDC approved cleaner (PPO) or glass cleaner (DIO) and a non-scratching cloth (Fig. 1-9).

**TOYOTA TUNDRA 2012 - STAINLESS STEEL EXHAUST TIP**  
 Checklist - these points **MUST** be checked to ensure a quality installation.

Check:	Look For:
<p><u>Accessory Function Checks</u></p> <ul style="list-style-type: none"> <li><input type="checkbox"/> Correct part number has been installed</li> <li> <input type="checkbox"/> Nut properly tightened</li> <li><input type="checkbox"/> Clamp properly aligned</li> <li><input type="checkbox"/> Tip properly aligned</li> </ul>	<p><u>Look For:</u></p> <p>Verify the part number on the package</p> <p>55 N-m (41 ft-lbf)</p> <p>Clamp oriented with nut down, facing the front of the vehicle</p> <p>Toyota logo facing up</p>
<p><u>Vehicle Function Checks</u></p> <ul style="list-style-type: none"> <li><input type="checkbox"/> Rattle or vibration</li> <li><input type="checkbox"/></li> <li><input type="checkbox"/></li> </ul>	<p>Start the engine and check for rattles or a vibration of the exhaust tip</p>
<p><u>Vehicle Appearance Check</u></p> <ul style="list-style-type: none"> <li><input type="checkbox"/> After accessory installation and removal of protective cover(s), perform a visual inspection.</li> </ul>	<p>Ensure no damage (including scuffs and scratches) was caused during the installation process.                  (For PPO installations, refer to TMS Accessory Quality Shipping Standard.)</p>